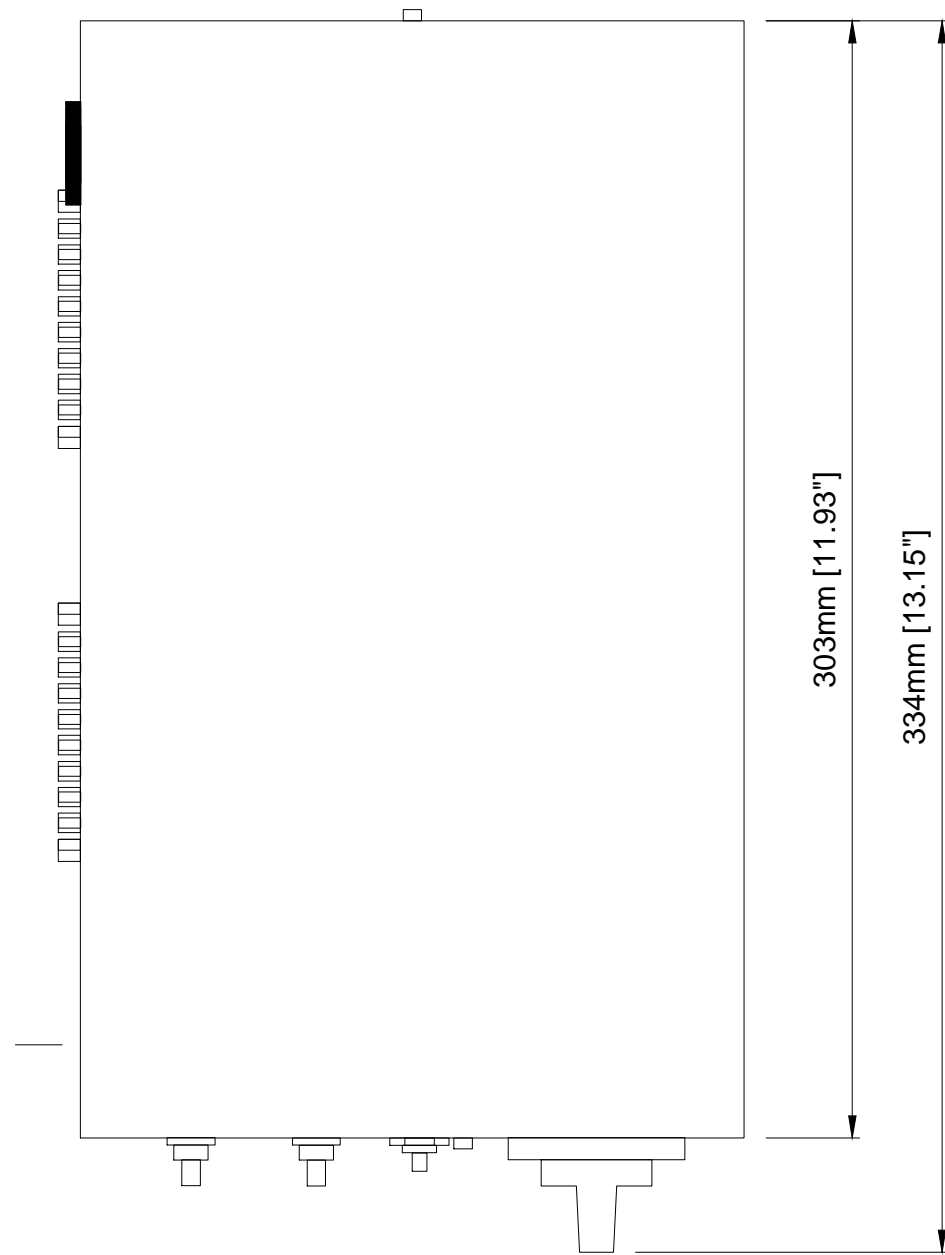


THIS DRAWING IS THE PROPERTY OF THE RDM AND MUST NOT BE COPIED OR DISCLOSED TO A THIRD PARTY WITHOUT AGREED CONSENT.

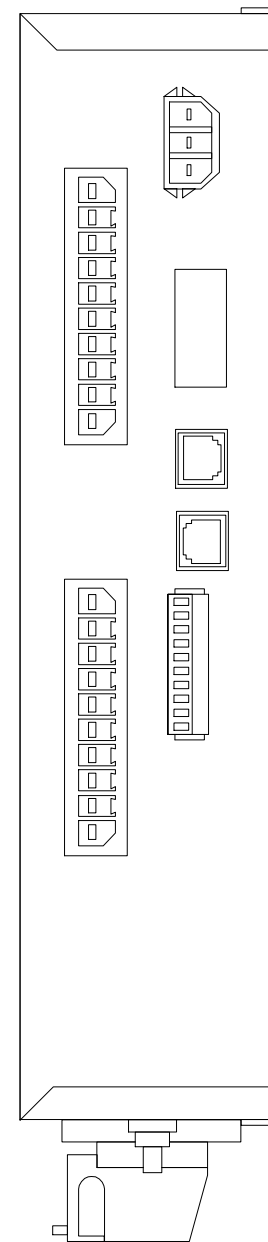
THIS DRAWING HAS BEEN BASED ON ARCHITECTS LAYOUT

LEGEND



Primary Functions Connector

Secondary Functions Connector



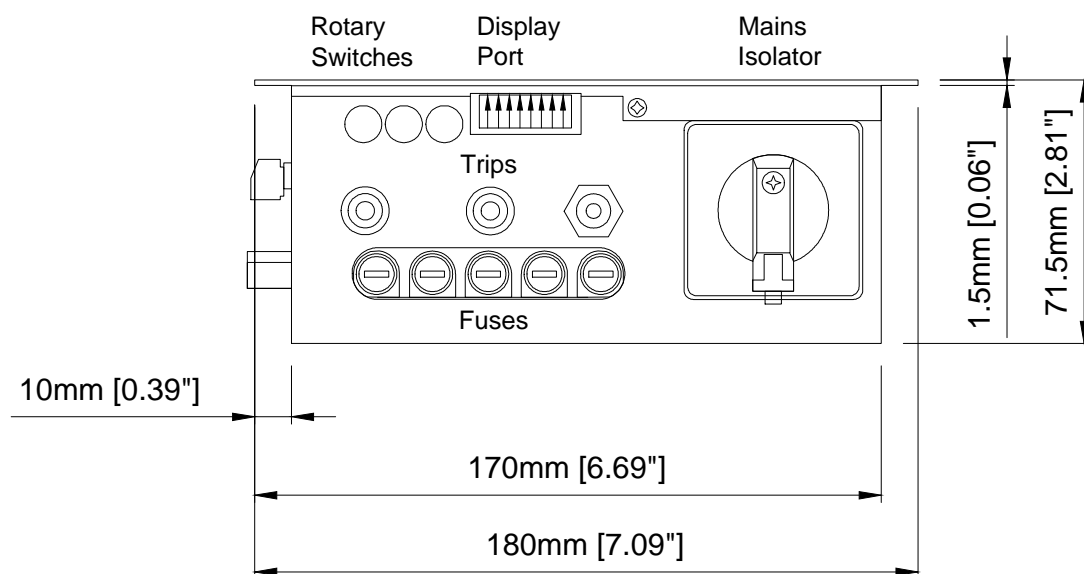
Incoming Supply Connector

RS485 Network Connection

Network Module RS232

Controller RS232

Probe Connectors



PR0040 - PR0053 Power Tray

REV 01 FOR INFORMATION DATE: xx/06/17

DRAWING REVISION

CLIENT

SITE NAME

PROJECT NAME



80 Johnstone Avenue, Hillington Industrial Estate, Glasgow, UK G52 4NZ

PR0040 - PR0053 Power Tray.

CLIENT PROJECT NO. -

RDM PROJECT NO. 00001

DRAWING STATUS FOR INFORMATION

DATE PRODUCED 03/07/17 REV 01

DRAWING NO. 014 DISCIPLINE ELECTRICAL

DRAWN AG CHECKED MAS